



ToriPRO

The Remarkably Fanless POS System

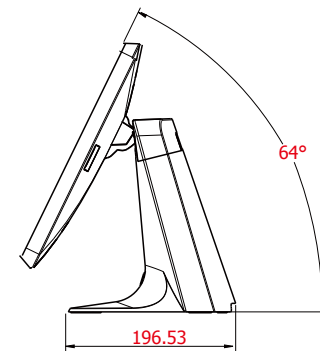
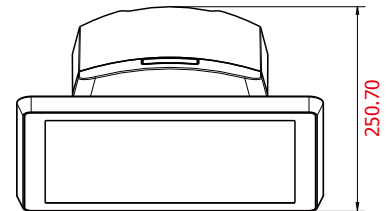
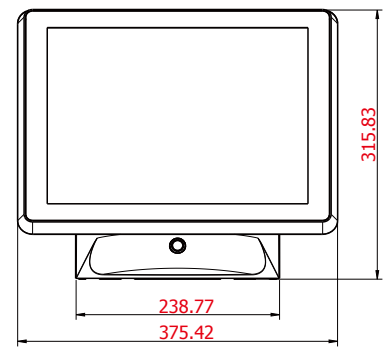
www.poindus.com

Specification

Model Name		ToriPRO
Main Board	CPU	Intel® Celeron J1900 quad-core 2.0GHz with L2 Cache 2MB Intel® Core i3-3217U dual-core 1.8GHz with L2 Cache 3MB
	Chipset	Intel® PCH HM76
	System Memory	1 x DDR3 SO-DIMM, up to 8GB
Display	TFT LCD	15" TFT LCD(LED backlight)
	Brightness	250nits
	Resolution	1024 x 768
	Touch Screen	True Flat Projected Capacitive Technology
Storage	HDD / SSD Type	1 x SATA 2.5" HDD or SSD
I/O Ports -External	DC Power Input	1 x Mini Din 4P (DC 19V only)
	Cash Drawer	1 x RJ-11 (12V or 24V)
	Network (LAN)	1 x Gigabit Ethernet by RJ-45
	USB Port	4 x USB 2.0 / 2 x USB 3.0
	Serial Port	COM1(5V), COM2/COM3(12V) Power enabled by BIOS setting(default disable)
	Power ON/OFF	1 x power on/off switch button
I/O Ports -Internal	Card Reader & iButton	USB HID : Internal Pin header for Card Reader & iButton
	Audio	HD Audio, 2W Speaker x 2
	Bus Expansion	1 x Mini-PCI-E Slot
Compliance	IP66 on front panel	
OS Support	Windows 7, POSready 7	
Power Supply	External power adapter 90 watts, DC19V @ 4.73A max.	
Material	Main Unit: Die-casting aluminum ; I/O Cover: Plastic(black)	
Color	Main Unit: Black	
Certifications	CE, FCC, Class-A, RoHS	
Dimension (W x H x D)	376 x 316 x 197 mm	
Weight	6.5 Kg	
Operating Temperature	0°C ~ 40°C, 10% ~ 90% RH, non-condensing	
Storage Temperature	-20°C ~ 60°C, 10% ~ 90% RH, non-condensing	

*The right has been reserved to change the specification without prior notice.

Dimensions unit:mm



Features

- Intel® 3rd Generation Core™ CPU:
Intel® Celeron J1900 / Intel® Mobile i3-3217U
- Powerful & Sexy :Powerful FANLESS system in stylish design
- 15" LED backlight LCD panel with PCAP touch screen
- True flat front touch panel design framed by glass
- Ruggedized construction all in aluminum materials
- IP66 waterproof certified
- Modularized design & Flexibility :
VFD, 2nd display, MSR, iButton, RFID, Fingerprint

Ordering Information

- Fanless 15" ToriPRO 715, Intel® Celeron J1900 , PCT touch
- Fanless 15" ToriPRO 815 ,Intel Core i3-3217U, PCT touch

IO Interface

